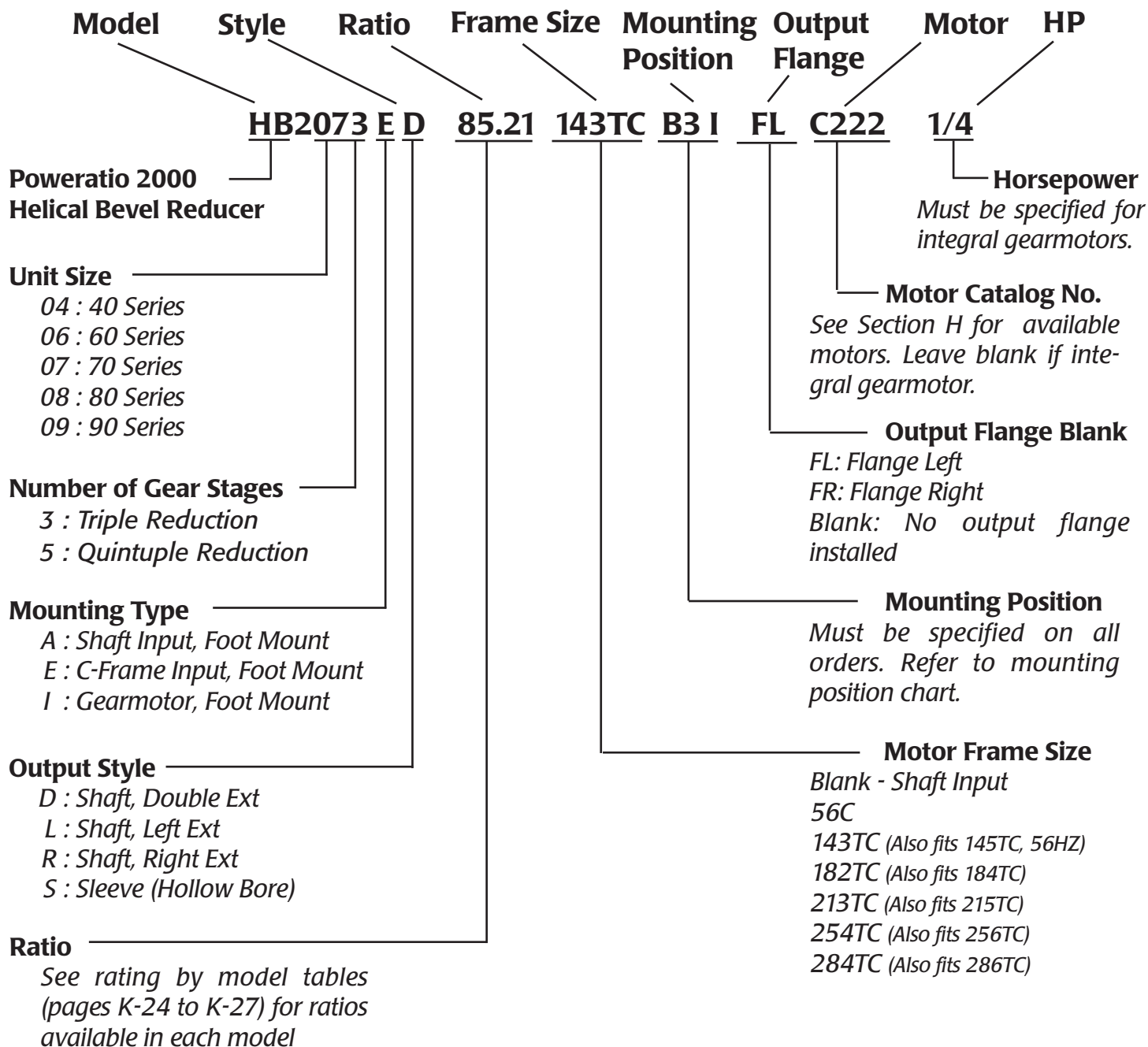


Descriptions

Descriptions For Ordering Reducers And Gearmotors

The Mounting position must be specified on all orders, and included in the reducer description. To order Motorized Reducers, simply specify the reducer, indicate the motor description or catalog number and specify “Motorized Assembly”. To order Integral Gearmotors, simply specify the reducer, motor horsepower and “Integral Gearmotor”. Integral Gearmotors in this catalog are supplied with 3 phase 230/460v totally enclosed, fan cooled (TEFC) 1750 rpm general purpose motors.



Selection By Input H.P. @ 1750 RPM

HP	Output Speed	Output Torque	Ratio	Service Factor	Output OHL	Output Thrust	Gear Stages	Model*
↑ 20 ↓	265	4469	6.6	1.68	3100	3540	3	HB2083
	237	4990	7.37	1.6	3200	3540	3	HB2083
	230	5152	7.61	2.64	3750	5350	3	HB2093
	212	5579	8.24	1.43	3200	3540	3	HB2083
	197	6019	8.89	1.36	3300	3540	3	HB2083
	185	6419	9.48	2.62	3900	5350	3	HB2093
	175	6764	9.99	1.33	3400	3540	3	HB2083
	162	7326	10.82	2.66	4000	5350	3	HB2093
	154	7698	11.37	1.3	3500	3540	3	HB2083
	140	8490	12.54	2.65	4250	5350	3	HB2093
	138	8599	12.7	1.65	3400	3540	3	HB2083
	123	9614	14.2	1.56	3500	3540	3	HB2083
	114	10373	15.32	1.49	3600	3540	3	HB2083
	112	10583	15.63	2.49	4500	5350	3	HB2093
	102	11652	17.21	1.37	3700	3540	3	HB2083
	98	12072	17.83	2.27	4750	5350	3	HB2093
	98	12126	17.91	1.34	3800	3540	3	HB2083
	86	13704	20.24	1.24	3900	3540	3	HB2083
	77	15430	22.79	1.83	5000	5350	3	HB2093
	73	16290	24.06	1.1	4000	3540	3	HB2083
66	17976	26.55	1.67	5250	5350	3	HB2093	
50	23711	35.02	1.35	5750	5350	3	HB2093	
44	27049	39.95	1.4	5950	5350	3	HB2093	
34	34578	51.07	1.1	6250	5350	3	HB2093	
↑ 25 ↓	265	5586	6.6	1.34	3100	3540	3	HB2083
	237	6237	7.37	1.28	3200	3540	3	HB2083
	230	6441	7.61	2.11	3750	5350	3	HB2093
	212	6974	8.24	1.15	3200	3540	3	HB2083
	197	7524	8.89	1.09	3300	3540	3	HB2083
	185	8023	9.48	2.09	3900	5350	3	HB2093
	175	8455	9.99	1.06	3400	3540	3	HB2083
	162	9157	10.82	2.13	4000	5350	3	HB2093
	154	9623	11.37	1.04	3500	3540	3	HB2083
	140	10613	12.54	2.12	4250	5350	3	HB2093
	138	10748	12.7	1.32	3400	3540	3	HB2083
	123	12018	14.2	1.25	3500	3540	3	HB2083
	114	12966	15.32	1.2	3600	3540	3	HB2083
	112	13228	15.63	2	4500	5350	3	HB2093
	102	14565	17.21	1.1	3700	3540	3	HB2083
	98	15090	17.83	1.82	4750	5350	3	HB2093
	98	15158	17.91	1.07	3800	3540	3	HB2083
	77	19288	22.79	1.47	5000	5350	3	HB2093
	66	22470	26.55	1.34	5250	5350	3	HB2093
	50	29639	35.02	1.08	5750	5350	3	HB2093
44	33811	39.95	1.12	5950	5350	3	HB2093	
↑ 30 ↓	265	6703	6.6	1.12	3100	3540	3	HB2083
	237	7485	7.37	1.07	3200	3540	3	HB2083
	230	7729	7.61	1.76	3750	5350	3	HB2093
	185	9628	9.48	1.74	3900	5350	3	HB2093
	162	10989	10.82	1.77	4000	5350	3	HB2093
	140	12736	12.54	1.77	4250	5350	3	HB2093
	138	12898	12.7	1.1	3400	3540	3	HB2083
	123	14422	14.2	1.04	3500	3540	3	HB2083
	114	15559	15.32	1	3600	3540	3	HB2083
	112	15874	15.63	1.66	4500	5350	3	HB2093
	98	18108	17.83	1.51	4750	5350	3	HB2093
	77	23146	22.79	1.22	5000	5350	3	HB2093
	66	26964	26.55	1.11	5250	5350	3	HB2093

K
 Selection By Input HP

* For Motorized Reducers Specify Mounting Type E and Motor Part Number (See Section H)
 All torque values listed in inch-pounds, all overhung load and thrust load values listed in pounds.
 The point of application of OHL is considered to be applied at the midpoint of shaft extension.
 OHL and thrust ratings cannot be applied simultaneously. Consult the factory for applications with combined OHL and thrust load.
 At speeds above 1750 RPM, units may become thermally limited. For extended operation, limit HP to 1750 RPM rating.

Ratings @ 1750 RPM Input 1.00 Service Factor

FOR MOTOR SELECTION
REFER TO SECTION H

HB2085						
Ratio	Output Speed	Input H.P.	Output Torque	Output OHL	Input OHL	Output Thrust
161.29	11	4.4	23900	4800	385	3540
202.99	8.6	3.5	23900	4800	385	3540
226.57	7.7	3.1	23900	4800	385	3540
300.73	5.8	2.3	23900	4800	385	3540
357.41	4.9	2.0	23900	4800	385	3540
449.80	3.9	1.57	23900	4800	385	3540
531.79	3.3	1.33	23900	4800	385	3540
641.10	2.7	1.10	23900	4800	385	3540
794.13	2.2	0.89	23900	4800	385	3540
987.16	1.8	0.72	23900	4800	385	3540
1190	1.5	0.59	23900	4800	385	3540
1474	1.2	0.48	23900	4800	385	3540
1868	0.9	0.38	23900	4800	385	3540
2252	0.78	0.31	23900	4800	385	3540
2791	0.63	0.25	23900	4800	385	3540
3363	0.52	0.21	23900	4800	385	3540
HB2093						
7.61	230	53	13600	3750	950	5350
9.48	185	52	16800	3900	950	5350
10.82	162	53	19500	4000	950	5350
12.54	140	53	22500	4250	950	5350
15.63	112	50	26400	4500	950	5350
17.83	98	45	27400	4750	950	5350
22.79	77	37	28300	5000	950	5350
26.55	66	33	30000	5250	950	5350
35.02	50	27	32000	5750	950	5350
39.95	44	28	38000	5950	950	5350
51.07	34	22	38000	6250	950	5350
59.48	29	19	38000	6750	950	5350
76.61	23	15	38000	7550	950	5350
84.07	21	13	38000	8000	950	5350
103.07	17	11	38000	8000	950	5350
115.42	15	9.7	38000	8000	950	5350
130.52	13	8.6	38000	8000	950	5350

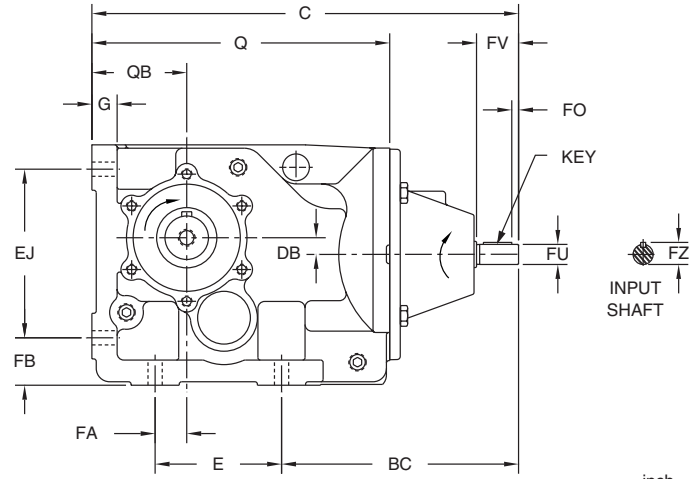
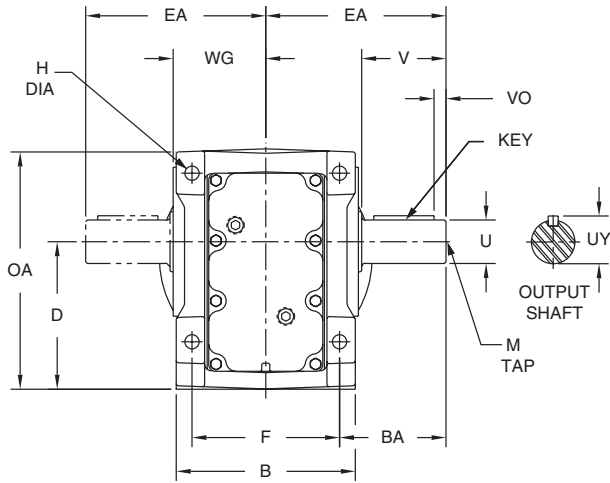


Reducer Ratings

All torque values listed in inch-pounds, all overhung load and thrust load values listed in pounds. The point of application of OHL is considered to be applied at the midpoint of shaft extension. Input OHL applies only to shaft input models. OHL and thrust ratings cannot be applied simultaneously. Consult the factory for applications with combined OHL and thrust load. At speeds above 1750 RPM, units may become thermally limited. For extended operation, limit HP to 1750 RPM rating.

Triple Reduction

DIMENSIONS SHOWN ARE FOR REFERENCE ONLY.
CERTIFIED PRINTS ARE AVAILABLE UPON REQUEST.



Dimensions are $\frac{\text{inch}}{\text{mm}}$

Gearcase

Model	B	BA	D	DB	E	EA	EJ	F	FA	FB	G	H
HB2043A*	5.71	2.95	4.41 ⁺⁰ _{-.02}	0.47	5.12	5.31	5.12	4.72	1.38	1.46	0.71	0.43
	145	75	112 ⁺⁰ _{-.5}	12.0	130	135	130	120	35	37	18	11.0
HB2063A*	6.69	3.98	5.51 ⁺⁰ _{-.02}	0.62	4.72	6.73	6.30	5.51	1.18	1.77	0.94	0.53
	170	101	140 ⁺⁰ _{-.5}	15.8	120	171	160	140	30	45	24	13.5
HB2073A*	7.87	4.86	7.09 ⁺⁰ _{-.02}	1.08	5.91	8.11	7.87	6.50	1.57	2.17	1.06	0.69
	200	123.5	180 ⁺⁰ _{-.5}	27.3	150	206	200	165	40	55	27	17.5
HB2083A*	9.06	5.91	8.35 ⁺⁰ _{-.04}	1.22	7.09	9.45	9.17	7.09	2.17	2.76	1.26	0.87
	230	150	212 ⁺⁰ _{-.1}	30.9	180	240	233	180	55	70	32	22
HB2093A*	11.42	6.73	10.43 ⁺⁰ _{-.04}	1.15	9.45	11.46	11.61	9.45	2.95	2.95	1.42	1.02
	290	171	265 ⁺⁰ _{-.1}	29.2	240	291	295	240	75	75	36	26

Gearcase

Model	OA	Q	QB	WG
HB2043A*	7.48	9.82	2.80	2.85
	190	249	71	72.5
HB2063A*	8.98	11.13	3.54	3.46
	228	283	90	87.9
HB2073A*	11.34	13.21	4.41	3.98
	288	335	112	101
HB2083A*	13.54	16.61	5.20	4.57
	344	422	132	116
HB2093A*	16.56	20.29	6.30	5.75
	421	515	160	146

Output Shaft

U	UY	V	VO	KEY	M
1.250 ⁺⁰ _{-.001}	1.36	2.36	0.29	1/4 x 1/4 x 1-11/16	1/2-13 x 1.13
1.625 ⁺⁰ _{-.001}	1.78	3.15	0.45	3/8 x 3/8 x 2-1/4	5/8-11 x 1.38
2.000 ⁺⁰ _{-.001}	2.21	3.94	0.64	1/2 x 1/2 x 2-5/8	3/4-10 x 1.61
2.375 ⁺⁰ _{-.001}	2.64	4.72	0.51	5/8 x 5/8 x 3-5/8	3/4-10 x 1.61
2.875 ⁺⁰ _{-.001}	3.20	5.51	0.67	3/4 x 3/4 x 4-1/8	3/4-10 x 1.61

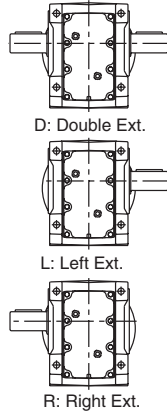
Input Shaft

Model	FU	FZ	FV	FO	KEY
HB2043A*	0.750 ⁺⁰ _{-.0005}	0.82	1.57	0.25	3/16 x 3/16 x 1-1/16
HB2063A*	0.750 ⁺⁰ _{-.0005}	0.82	1.57	0.25	3/16 x 3/16 x 1-1/16
HB2073A*	0.875 ⁺⁰ _{-.0005}	0.95	1.97	0.28	3/16 x 3/16 x 1-1/4
HB2083A*	1.125 ⁺⁰ _{-.001}	1.23	2.36	0.32	1/4 x 1/4 x 1-11/16
HB2093A*	1.375 ⁺⁰ _{-.001}	1.51	3.15	0.35	5/16 x 5/16 x 2-3/8

Input/Gearcase

BC	C
7.62	14.16
194	360
8.85	15.94
225	405
10.66	19.40
271	493
14.29	24.40
363	620
15.82	28.62
402	727

***Output Styles**



Dimensions subject to change without notice



For safety and to comply with local and national safety codes, the purchaser or user must provide protective guards over all shaft extensions and devices mounted thereon.